



The Feedline

“W9JZ – SERVING AMATEUR RADIO SINCE 1933”

Volume 27, Number 5

Club Information

2006 FLARC Officers

Frederick Baguhn W9GOC - President
John Steffl WZ9I - Vice President
Gary Muskat KA9SRM - Secretary
Don Michalski W9IXG - Treasurer

Board Members at Large

Steven Elliott, W9RAL
Dan Lautenschleger, KC9IAP
Doug Ward, W9DCQ

CALENDAR OF CLUB EVENTS, etc.

Our club meetings are held the third Tuesday of the month at the Red Cross building in Madison, 4860 Sheboygan Avenue. Regular meetings start with the business meeting at 7:30 PM, followed by the program unless otherwise noted. Times and location are subject to change, with prior notice.

Saturday morning “Zilch” locations

- The Eastside Zilch (ham breakfasts) are at 7:30 AM at the Green Lantern on the west end of Siggelkow Road in McFarland.
- The Westside Zilch is at 10:00 AM at Village Green at 7508 Hubbard Ave. in Middleton. See you there.

Madison Area InfoNet

Thursday evenings on 147.15 at 8 PM; 146.76 is the backup frequency. Traffic and check-ins are welcome.

Madison Ham Web Page

Website is at <http://www.gsl.net/flarc>. Keep checking the links page for new goodies!

Meeting dates and programs

- May 16th meeting will be at Red Cross, 7:30 pm. Our guest speaker will be Dan/AB9ME presenting a talk on N1MM, the logging program we use at Field Day.
- FLARC Meeting for June 20th will be at Token Creek County Park, near I-90 and Hwy 51, northeast of Madison.
- Field Day -- June 24-25, 2006.

The Prez Says

Greetings to all!

Thank you to all who participated in the April meeting! John/ WZ9I hosted a plant tour of Madison-Kipp for our April meeting. Those in attendance were treated to a real insider’s view of how cast products come into existence in a modern manufacturing facility. There is still molten aluminum, but we also saw techniques using semi-solid alloys. Induction heaters, robots and laser inspection stations, barcode tracking for operator processes - - manufacturing has come a long way since the last time I was lucky enough to tour a foundry operation.

Our featured speaker for the May general meeting will be Dan/AB9ME, one of our area’s computer wizards. He will be enlightening us on the N1MM logging program, and how we can effectively get this software to exchange data with our modern transceivers. N1MM is the logging program we plan to use for Field Day in Token Creek Park, (next month !!) so this will be a fine chance to brush up on techniques and gain pointers from someone who can help us up the learning curve with this program.

Field Day rapidly approaches, and John tells me that we still have some choice bands available. The ARRL says that Field Day is not a contest, but rather an opportunity for amateurs to demonstrate what we can do in a public location - - a community outreach mechanism to demonstrate that amateur radio is still viable in the age of Internet. Field Day is also a chance for us to engage in some knowledge transfer among ourselves. FLARC is fortunate to have contesters who Know How It’s Done, and wannabe contesters who would like to absorb some of that wisdom. We hope to have demonstration stations available for modes or bands that some of us have only read about, and this will be a chance to show off that

new antenna design that you've been itching to try. Mark your calendars for the 4th weekend in June, and let John know which band and mode you'd like to concentrate on?

Upcoming events:

- VE Testing session at Space Place, 8:00 - 10:00 AM, 3 June
- General Class at Space Place, 13-14 May
- DAYTON Hamvention, 19-21 May
- Field Day, Token Creek Park, 24-25 June

Looking forward to seeing you at the meeting - -

73, Frederick

News and Stories

FCC WRC-03 Amateur Rule Changes Now In Effect

Several FCC Part 97 Amateur Radio rule revisions to implement changes agreed to at the international level during World Radio-communication Conference 2003 (WRC-03) now are in effect. The FCC Order, released in January, affects 97.111, Authorized transmissions; 97.113, Prohibited transmissions; 97.115, Third party communications, and 97.117, International communications. The Federal Register published the changes May 3.

"These amendments will ensure that the Commission's Amateur Radio Service rules conform to Article 25 of the international Radio Regulations adopted at the 2003 World Radiocommunication Conference, and will further the Commission's ongoing efforts to streamline its Amateur Service Rules," the FCC Order said. "The overall effect of this action is to update the Part 97 Amateur Radio Service rules in the Code of Federal Regulations to conform to now-effective international agreements."

The FCC Order revises:

* 97.111(a)(1) to permit "transmissions necessary to exchange messages with other stations in the Amateur Service, except those in any country

whose administration has notified the ITU that it objects to such communications. The FCC will issue public notices of current arrangements for international communications." The old language permitted communication among amateur stations in different countries "except those in any country whose administration has given notice that it objects to such communications." The FCC said the change does not prejudice its proposal to amend 97.111(a)(2) to clarify that amateur stations may, at all times and on all authorized channels, transmit communications necessary to meet essential needs and to facilitate relief actions.

* 97.115(a)(2) to facilitate the transmission of international communications on behalf of third parties in emergency or disaster-relief situations, whether or not a third-party agreement is in place between the US and the countries involved. The revision now permits communication with any non-US station "when transmitting emergency or disaster relief communications" as well as with any non-US station "whose administration has made arrangements with the United States to allow amateur stations to be used for transmitting international communications on behalf of third parties." The revised rule further provides that no station may transmit third-party traffic other than emergency or disaster relief communications to a station in a country lacking a third-party arrangement. Still excepted from the prohibition is any third party eligible to be the control operator of an amateur station.

* 97.113(a)(4) to prohibit amateur stations exchanging messages with amateur stations in other countries from making transmissions that are encoded for the purpose of obscuring their meaning, except for control signals exchanged between Earth command stations and space stations in the Amateur-Satellite service, something Part 97 already provides for. The old rule referred to the use of "codes and ciphers." The same rule also already prohibits transmitting music, communications intended to facilitate a criminal act, obscene or indecent words or language and false or deceptive messages, signals or identification.

* 97.117 to state that amateur stations may transmit communications incidental to the

purposes of the Amateur Service and to remarks of a personal character.

The FCC also revised 97.3 and 97.309 to update the definition of International Morse code and of various digital codes in the amateur rules to reflect changes in the international Radio Regulations.

House Committee Okays Telecoms Bill with BPL-Interference Study Amendment

The US House Energy and Commerce Committee's version of the Communications Opportunity, Promotion and Enhancement (COPE) Act of 2006 includes an amendment requiring the FCC to study the interference potential of BPL systems. The panel voted April 26 to send the much-talked-about "telecoms rewrite" bill to the full House for its consideration. "Outstanding news!" was the reaction of ARRL CEO David Sumner, K1ZZ.

"This is a major victory for the ARRL," he exulted, noting that the amendment "received significant opposition" from utility companies. Rep Mike Ross, WD5DVR (D-AR), proposed the amendment, and, with the support of Committee Chairman Joe Barton (R-TX), the committee agreed by voice vote to include it in the bill. "This puts the House Energy and Commerce Committee on record as having concerns about BPL interference," Sumner said.

A year ago, Ross sponsored House Resolution 230 (H Res 230), which calls on the FCC to "reconsider and revise rules governing broadband over power line systems" based on a comprehensive evaluation of their interference potential to public safety and other licensed radio services.

"Hundreds of ARRL members who wrote their congressional representatives in support of Rep Ross's H Res 230 helped to achieve this week's success with the COPE Act amendment," Sumner observed.

A statement released by Ross's office notes that his amendment, which received unanimous committee support, "would guarantee that valuable public safety communications and

Amateur Radio operators are not subject to interference." One of two radio amateurs in the US House, Ross said infrastructure-free Amateur Radio, "often overlooked in favor of flashier means of communication," can maintain communication in disasters that bring more vulnerable technology to its knees. Ham radio operators "are often the only means of communication attainable in a devastated area," Ross said.

"I believe it is imperative that the interference potential of BPL is thoroughly examined and comprehensively evaluated to ensure that deployment of BPL, which I do support, does not cause radio interference for Amateur Radio operators and first responders who serve our communities," Ross added.

Repeat of The Knowledge?

You Know You're a Ham if:

- you buy electrical black tape in ten packs.
- you've stripped wire with your teeth.
- you've told your son that, "One day, all this will be yours", and he doesn't respond.
- you'd rather help a buddy put up a new tower than mow the lawn.
- you've grabbed the wrong end of a soldering iron.
- you start giving out RST reports when you are on the telephone.
- the propagation forecast means far more to you than the local weather forecast.
- the microphone or visual aids at a meeting don't work and you rush up to the front to fix it.
- you tell the XYL, when she notices a new rig in the shack, "why that has been there for years."
- your watch is set only to UTC.
- at night, when you pray, it starts off something like: CQ CQ CQ GOD DE (your callsign).
- you ever had to patch your roof after an antenna project.
- Ham radio magazines comprise more than 50% of your bathroom library.
- you ever put a GPS tracker in the XYL's car, just so you could watch her on APRS.

- you and the XYL took a cruise so you could visit the radio room.
- you ever tapped out HI in Morse on your car horn to another ham.
- you ever had an antenna fall down.
- your teenager refuses to ride in your car because it looks like a porcupine.
- you know the Latitude and Longitude of your home QTH.
- you go into the local Radio Shack store and the clerk asks you where something is.

Four Lakes Club Items

Looking for Fun at Field Day?

FLARC is looking for a volunteer to be the chairperson for the Field Day event in June, 2006. If you have an interest in Field Day, and would like to be on the cutting edge of Field Day activities, contact John, WZ9I, the FLARC Vice President and Field Day Chairman.

A site for Field Day 2006 has been selected, which will be Token Creek County Park, near I-90 and Hwy 51, northeast of Madison. This appears to be a very good location, and a map of the location has been attached at the end of this newsletter.

FOX HUNT COMING

Remember, the Annual FLARC Fox Hunt will be held in August, so start now to get your fox "shooting" skills in order so you can beat the rest of the hunters. Remember that the biggest "gun" doesn't always win.

FLARC Treasurer's Report

The FLARC treasurer reports we have money, but no actual number due to our April meeting at the Madison-Kipp facility.

Buck Nite Winner at FLARC

The Buck Night Winner was not, since we were at the Madison-Kipp facility for our April meeting.

General Class in May 2006

Amateur Radio General Class Workshop-- May 13 - 14, 2006. You need, of course, a Technician or Novice license as a pre-requisite.

Here is a weekend workshop to help you upgrade your Novice or Technician Class ham radio license to General Class. Earn new privileges that will enable you to explore all the ham bands, try out new modes, and get into worldwide communications. A license examination session on Sunday afternoon concludes the workshop, so can upgrade your license to General Class in only two days. (The workshop covers the written element but does not cover 5 wpm Morse Code, which is also required to earn the General Class license.)

The workshop is free-even refreshments are provided! (There is, however, an exam fee of \$14.00 to cover administrative costs.) To prepare you must get a copy of the ARRL General Class License Manual (5th ed., \$16.95), which is available via web or mail order from the American Radio Relay League: www.arrl.org/catalog. (Check the ARRL web site for lots of information about ham radio.) You will receive suggestions for studying after you register. AES in Milwaukee sells the book, also. www.aesham.com.

Go to <http://www.spaceplace.wisc.edu/SPARC.shtml> for additional information.

Please tell us your age if you are a high school student or younger. Register soon! Class size is limited to 25. Email Don Michalski at w9ixg@arrl.org or call 608-274-1886.

If you already have your General, please pass this information around. I have included a flyer for you to post at your place of employment, also!

73, Don, W9IXG

Member Birthdays

May:

- 2 W9IXG - Don Michalski
- 3 W0ROT - Peter Fribley
- 4 W9DGI - Daniel Gomez-Ibanez
N9HNN - John Pellett, MD
- 5 KA9SSI - James F. Hill
- 7 DL7AOW - Jens Freydanck
KC9EUC - Thomas Komsi
- 20 N9GTB - William Steaffens
- 21 KA9SRM - Gary Muskat
- 22 K9KVA - Joseph Turner

June:

- 02 K9YXW - John M Schroeder, MD
- 10 KC9HED - Wade Olson
- 12 WD9BFV - Richard Lindgren
- 13 AD9X - Jim Lackore
- 14 W9JEK - Wilbur Jensen
- 21 N9MW - Ed Toal
- 25 KC9GDI - Woody Pfeffer
- 29 KC9CMA - Shyam Koppikar
W9DCQ - Doug Ward

The Big Project Update

The Big Project is OFF for the moment. Our school has no instructor for the program, so we are "back to square one." If you know of a local school which would be interested in beginning an amateur radio program, please contact Don Michalski, W9IXG, or Frederick Baguhn, W9GOC.

Programs for FLARC Meetings

We need lots more ideas and topics for programs to present at our meetings. So let us hear from you. Send your ideas to Frederick, W9GOC, or to any of the FLARC Board Members. Thanks for your support.

FLARC Web Site

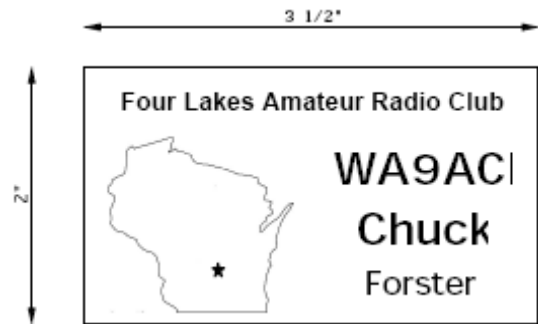
The FLARC URL is <http://www.gsl.net/flarc> . If you see any errors, please let Steve Elliott, W9RAL know, e-mail: w9ral@aol.com .

Elmers

If you are interested in being an Elmer, one who helps newcomers get started in ham radio, we would like you to contact FLARC. Our coordinator for our Elmer Program is Ralph, W9CAR who can be contacted at 231-9195 or 212-7300. Let us all get involved in helping others become better amateur radio operators. *BECOME AN ELMER!* doesn't always win.

"WE NEED BADGES!"

Yes FLARC is getting ready to order club badges.



This is the design which has been selected and we are putting together the cost information so we can get an order form out to you. Please keep an eye out for the form, via e-mail and the next *The Feedline* newsletter.

VE Testing Program

The Four Lakes Amateur Radio Club of Madison, Wisconsin sponsors a monthly VE testing program at the University of Wisconsin Space Place, 2300 South Park Street, downstairs on the lower level, in the Villager shopping center complex (located in the middle of the shopping center).

Exams are given the first Saturday of the month. Holidays included. Doors open at 8:00 AM, and we hope to have all exams completed and graded by 10:00 AM. Testing is also available to all candidates on Sundays after the Ham Training classes, which are offered three times per year, and after the spring MARA Swapfest.

We offer special accommodations for testing to those with alternate abilities. We require some advance warning on the nature of the accommodations you will need, e.g., an exam reader, visual code, etc. Other than that no reservations are necessary. Walk-ins preferred. Try to arrive at 8 AM or shortly thereafter.

UW-Space Place is located at 2300 S. Park Street, lower level, in Madison, WI. Watch for the Park Street, highway 151 north, exit from the Beltline which is highway 12 & 18 - UW-Space Place is approximately 1/2 mile north of the Beltline, and will be on your left as you head toward the heart of town just past McDonald's. That landmark is more identifiable than the Space Place signage. The Villager shopping center's 2300 S Park Street is the middle of the first parking lot past McDonald's. The UW radio club's BARS repeater, 146.685, pl 123.0, is used for talk in before the start time of 8 AM. Testing is in the lower part of the building in the Space Place class room. Look for signs when you enter the building.

Things to bring:

- Photo ID or two other forms of identification; If you have another FCC license (for example, GMRS) in your name, please bring your Federal Registration Number as it is used by the FCC's Universal Licensing System. (If you have no such license, your Social Security number will serve as an interim identifier until your FRN is generated.)

If you have a current amateur radio license, please also bring:

- The ORIGINAL license and ORIGINALS of any CSCEs which should be considered (both returned to you after inspection), and
- a photocopy of the license and CSCEs (sent with your application to the ARRL VEC) \$14.00 exam fee, preferably as a check or money order made payable to ARRL/VEC

Things NOT to bring:

- A fancy programmable calculator. (the calculator must not have memories, or the memories must be cleared before you use it on the test. This includes clearing the PDA or cell phone memories, so those would not be good choices to use for a calculator.) Simple calculators are provided for your use.

73, Sam Rowe KG9NG acting coordinator
E-mail: KG9NG@arrl.net
608 246-8582, 24-hour machine.

Mission Statement

The Four Lakes Amateur Radio Club

The Four Lakes Amateur Radio Club (F.L.A.R.C.) is a non-profit, general interest club that exists to promote the growth and enjoyment of Amateur Radio in South-Central Wisconsin. The club's mission is to encourage new operators, enhance the skills and interests of those already licensed and to provide communications in the event of disasters or other emergencies. To accomplish this mission, F.L.A.R.C. will:

- Schedule regular meetings with informational programs and the opportunity for informal fellowship.

- Publish a monthly newsletter for the membership.
- Sponsor training classes.
- Sponsor Volunteer Examinations.

The Feedline is the regular monthly newsletter of the Four Lakes Amateur Radio Club (FLARC). The editor for *The Feedline* is Steve Elliott, W9RAL, and can be contacted at (608) 345-2286 or e-mail: w9ral@aol.com.

Wisconsin Items

Wisconsin Section News

Keep in touch with the ham action in Wisconsin by going to the Wisconsin section website:
<http://www.arrl.org/sections/?sect=W1>.

73, Don, W9IXG, Wisconsin Section Manager

Awards Checkers

Checker for the WAS Award is Gari, NG9V. When you are ready, just contact him; he'll be glad to do it, 608-221-2022 or gberliot@ameritech.net.

Checker for the VUCC awards is Richard, K9APW. Contact him at 608-833-0011 or k9apw@arrl.net.

MidWest Severe Storm Tracking Response Center Needs Volunteers

The MidWest Severe Storm Tracking Response Center (MidWest SSTRC Inc.) is looking for some dedicated men and woman wanting to help out in the interest of public safety.

We all remember August 18th, 2005 and the terrible damage done to Stoughton by an F3 tornado. Lives were saved due to early warning and detection of this severe weather event. Now you can help bring that safety to your town or community.

MidWest SSTRC Inc. needs storm spotters in far Western Dane County. As we all know most of our severe weather comes from the west. In the past mobile spotters have had no problem with traveling westward to meet and greet severe storms as they come into Dane County. But with the advent of higher gas prices and the promise of the cost going even higher the need for pre-placed static and short haul mobile spotters is

increasing. Another benefit in having spotters already in that area is response time. In the time it takes a spotter to travel from Madison to Daleyville a storm can change direction or other cells could become a factor.

We are looking for people interested in reporting severe weather in the following areas of Dane County. In or near:

Daleyville
Blue Mounds
Black Earth
Mazomainie
Roxbury

MidWest SSTRC Inc. has a great UHF Amateur Radio (Ham) repeater network and a Business Band repeater system that should work well in those areas. A spotter does not need a Ham license to use the MidWest Business Band radio system. Just some basic training and authorization from MidWest SSTRC to do so. Ham operators with UHF capabilities are also welcome. If enough people were interested MidWest SSTRC would even be willing to come out to a central location and give a basic spotter and radio class to those wishing to join MidWest SSTRC and perform this vital function.

MidWest SSTRC Inc. works with Dane County Emergency Management and the National Weather Service. Information from our trained spotters is passed along to these entities in the hope of protecting life and property.

MidWest SSTRC Inc. is a 501c3 non-profit cooperation. Interested parties should contact:

Tim Shriver
Operations Manager
MidWest SSTRC Inc.
www.midwestsstrc.org
tim.shriver@midwestsstrc.org
608-268-6966

For Weather Net Folks

The Wisconsin-based Badger Weather Net is held every morning on 3.985 MHz, between 0500 and 0715 local time.

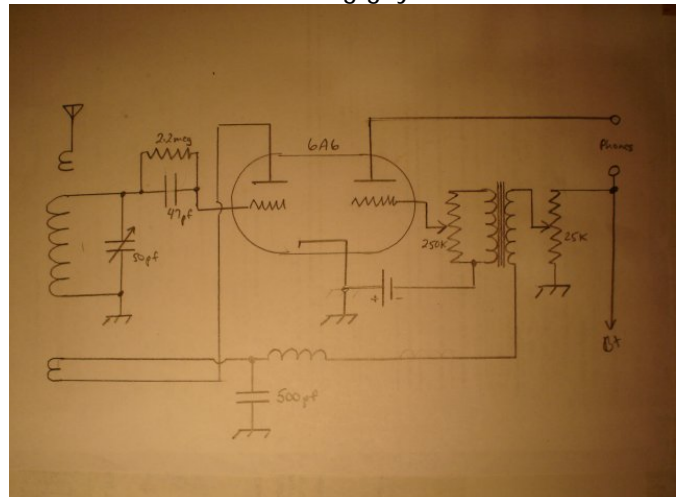
For Sky Warn Watchers

If the weather gets active in the Dane County/Southern Wisconsin area, you may want to follow the action on 444.375MHz.

The Milwaukee Area Skywarn Association (storm spotters) webpage has a state-wide list of frequencies used for severe weather reporting. Follow the link near the top of the page: <http://www.mke-skywarn.org>.

OLD RADIO STUFF

N9HAL uses Low Wattage Tube radio. John, WZ9I, has been working Bob, N9HAL, in Watertown and they have exchanged information about their radios. Bob has been using a radio which has the same schematic as the 2-27 receivers, except it uses a 6A6 dual triode. Thanks for sharing guys.



BPL in Wisconsin Update

Until most recently, Wisconsin has been Broadband over Powerline (BPL) free. That is still true except for Washington Island. At Washington Island, there exists a small electric power co-op that, like all rural electric cooperatives, is regulated by the federal government and not by the Public Service Commission of Wisconsin. They were approached by a BPL company, IBEC, to install a system over their network to provide high speed Internet for their customers. This has raised the concern of one Amateur who runs a B&B hotel catering to Amateur operators who desire a peaceful vacation and the use of nice operating stations in a low noise RF environment. He asked for ARRL help.

Enter Ed Hare, at ARRL, stage right. Ed loaned some special test equipment to take meaningful background measurements before BPL is installed on the island. Data was taken at two Amateur sites on Washington Island, at least. We now have baseline background data to determine if BPL will be problem in Washington Island. This is the first step.

What constitutes harmful interference to us? For that, and more, I highly recommend you read the basic information given by Ed Hare at these sites: <http://www.arrl.org/tis/info/HTML/plc/> and <http://p1k.arrl.org/~ehare/bpl/measurements.html>

Rural Electric Cooperatives do not fall under the control of Wisconsin's PSC. Electric Co-ops are controlled by the Federal Energy Regulatory Commission, FERC. Their guidelines are somewhat different than our Wisconsin PSC. We have someone in the PSC who is in regular contact with Jim Lackore, AD9X, State Government Liaison. If BPL attempts to sprout up, we should hear about it and take appropriate action. But, as in the case of Washington Island, this does not mean that a Rural Electric Co-op can't start a BPL operation without PSC knowledge. We have 27 rural electric co-ops in Wisconsin. You can help us by keeping your ear to the rail and letting us know if you hear of any BPL operation coming up. Thanks!

73, Don, W9IXG, WI Section Manager

Why Check-In to Nets?

FAQ # 55 Why not just listen to the section nets? Why check in? Thanks to the lady in the balcony for that question. We encourage actually checking in to the nets for a number of good reasons.

- (1) It tests your equipment on a regular basis. When something's wrong, it's noticed. When you need it, it's more likely to work well.
- (2) The best way to learn is by doing. Following the NCS's directions becomes automatic. You won't have to learn the protocol under more stressful conditions.
- (3) Band conditions provide good training. Bad skip, static crashes, interference, can be a challenge. Working together, stations on a net can overcome these problems. That cooperation is valuable.
- (4) Hearing other stations regularly can familiarize you with their voice patterns, fists, or operating techniques.
- (5) When you check in, the NCS knows there's an outlet to your city. That will make routing traffic more efficient.

Make your presence known. Check in and add your comments, if you're asked. It's a great way to train and an even better way to make friends. 73 - K9LGU/STM - WI

ARRL Items

BOY SCOUT SPECIAL EVENT, MAY 19-21

Boy Scout Venture Crew 59 in Kutztown, PA, will offer more than 5,000 Boy Scouts, Cub Scouts and Venture Crew members exposure to Amateur Radio during the Jambo Scoutfest 2006 on the campus of Kutztown University from Friday, May 19 through Sunday, May 21.

The crew will be using its call sign KC3BSA and will be operating a special event station as part of the Jambo Scoutfest, sponsored by the Minsi Trails and Hawk Mountain BSA councils.

Battery-powered and solar-powered stations will

be operating on or near the traditional Scouting frequencies on the HF bands. Activity will be on 10, 15, 20, 40 and 80 meter bands (SSB and CW) as well as 2 and 6 meters SSB and 440. There will also be a demonstration of Slow-Scan television, PSK 31 and EchoLink.

Boys from ages 7 through 18, girls from ages 14 to 20, and hundreds of adult leaders, day visitors and families will get a chance to see the many facets of Amateur Radio demonstrated by crew members. Youth also will be invited to sit in as "guest operators" at station positions.

For a special certificate, send QSLs to Edward R. Breneiser WA3WSJ, Attention: KC3BSA (write Jambo Scoutfest on the outside of the envelope). More information is available at <http://www.wa3wsj.com/VC59/VC59Home.html>

W1AW 2006 Spring Operating Schedule

The W1AW Operating Schedule may be found on the web at, <http://www.arrl.org/w1aw.html> .

Information Locator

Amateur Radio Web Sites

MARA www.gsl.net/mara
WAR www.wi-repeaters.org
MDXC <http://www.madisondxclub.org>
N9MW <http://www.n9mw.com> (DX-Cluster)
SMC <http://www.w9smc.com>

Dane County ARES/RACES
http://groups.yahoo.com/group/dane_co_ares-races/
(has a current listing of Public Service Events)

Note: The Wisconsin Association of Repeaters (WAR) site, <http://www.wi-repeaters.org/>, will provide a current list of all repeaters in the state of Wisconsin. You can get the list sorted by frequency, by city or by region. The list has the offset, tone frequency, availability of auto patch, emergency power, owner, if open and if it's associated with emergency nets.

MDXC works with Internet Explorer and not with

some versions of Netscape.

Other interesting sites are www.gsl.net and www.qrz.com. There are many, many links to other sites, which promote things from antennas, antenna construction to software. Also www.ac6v.com and www.cpcug.org/user/wfeidt/index.htm are full of links about ham radio. The latter is NG3K Amateur Radio Contest/DX page with the link ADXO, Announced DX Operations.

If you click on some of these URLs, they may not work and you will get an error message. They are OK if you type them into your browser.

Also, the ARRL Letter is a weekly update of amateur radio news, which can be found at: <http://www.arrl.org/arrlletter/> .

Badger Amateur Radio Society (BARS)

For those of you who utilize the 146.685 MHz, p123.0 Hz (W9YT), repeater in the Madison area, the Badger Amateur Radio Society (BARS) is the group which operates this equipment. The BARS group is the student based organization of the University of Wisconsin, and is open to amateur radio operators who are students, alumni, or just involved in amateur radio. BARS meetings are the second and fourth Thursdays of the month, at 5:00 pm and 5:45 pm, respectively, in room 1055 ECB (Engineering Center Building).

Currently, the BARS Echolink® unit is off-line and not operational, due to questions concerning the operation of the simplex unit under FCC rules.

QRP - A New Section

QRP is a subject within amateur radio which has been somewhat "low key," or lacking power. (Sorry, I got a million of them.)

The Feedline is about to answer the call of QRP by introducing a QRP section in our Newsletter. So, calling all you QRP fans and operators, we need your assistance in bringing our new QRP sections to life. We are interested in your stories, technical topics, references to articles you have seen or read, anything related and a part of QRP

in amateur radio. We shall put the items together, and begin the QRP Section in next months *The Feedline*.

And Other New Topic Areas and Sections for The Feedline

As our newsletter continues to develop and grow, we are always looking for topic areas and sections to add to our monthly writings. If you have any ideas, are willing to contribute to a topic area, or just have found some information you think amateur radio operators need to know about, let our editor know. You can contact Steve Elliott, W9RAL, at w9ral@aol.com or w9ral@arrl.net.

Learn Morse Code

Here is yet another location on the Web where you can gain information about Morse Code and get assistance with your learning. The website: <http://justlearnmorsecode.com/>

Technical Round-up

Need Manuals or Tech Info for Your Radio?

The following website has a lot of information for a very large number of amateur radios by many manufacturers.

<http://www.ham.dmz.ro/>

Give it a whirl the next time you need a manual, schematic, bulletin, or how to repair a problem.

Wisconsin Repeater Frequencies

Repeater List (Booklet Format)

<http://www.wi-repeaters.org/Mar2006Listing.pdf>

Repeaters Listed by City, Region & Frequency in HTML & Text Formats

<http://www.wi-repeaters.org/warlst.htm>

WAR Band Plan

http://www.wi-repeaters.org/war_bandplan.htm

WAR PL Tone Plan Map

<http://www.wi-repeaters.org/wisctcssmap.pdf>

Cross Band Repeater Frequencies

http://www.wi-repeaters.org/war_crossband.htm

WAR March Newsletter

<http://www.wi-repeaters.org/Mar2006Newsletter.pdf>

Minnesota Repeaters

http://www.mrc.gen.mn.us/MN_List.pdf

For Sale and Advertisers

BUY — SELL — TRADE

ATTENTION FLARC MEMBERS: If you have amateur radio or computer items that you would like to BUY, SELL, or TRADE, you can do it in *The Feedline*. There is no charge for non-commercial advertising. Ads can be sent to Steve Elliott, W9RAL editor, w9ral@aol.com, and will be posted for 3 months. Continuations for additional months can also be sent to Steve.

FOR SALE

The following items are for sale:

- M-18, 50-foot, Glen Martin tower with a Hazer 6 tram system for antenna mounting.
- XP-70 Series Sommer antenna which appears to be a 706 model or 708 model.
- Miscellaneous feed line and tower guy wires.
- Antenna rotor (no current information on what unit it is, or whether it works).

Tower is located in Madison, Wisconsin, and further information can be obtained by calling Steve, W9RAL, at 608-345-2286. Proceeds from the sale of this equipment is being donated by the Family of Mas Iyama to the Big Project work in our area and supported by FLARC.

(Feb2006)

FOR SALE

New In Box Barker & Williamson BWDS-1.8-30 stainless steel folded dipole. Used by governments world-wide. Great for both ham &

shortwave radio. Covers 1.8 - 30 MHz
CONTINUOUS, SWR under 2:1 & 30 - 54 MHz
CONTINUOUS with an SWR of under 3:1 & rated at
2KW PEP SSB/CW.

Made of more durable stainless steel wire not the
copperweld version. Popular Communications
review article is attached or at:

<http://www.bwantennas.com/instr/PCJulyTechShowcase.pdf>

AES list price for stainless version of this antenna
is \$374 plus shipping & Wis. Sales tax. (New part
number is BWDS-90).

Make a reasonable offer. Email me or call me at
847-867-2774.

73, Mark, WB9QZB@AOL.COM

(Feb2006)

FOR SALE

Badger Amateur Radio Society has a LOT of tubes
for sale, and you can get a copy of the Tube List
from them by sending a self-addressed, stamped
envelope to:

Badger Amateur Radio Society
1415 Engineering Drive
Madison, WI 53706

FOR SALE

New in box Hy-Gain DX-88 HF Vertical covering
10/12/15/17/20/30/40/80m.

This is older stock originally made when Hy-Gain
was owned by TELEX before MFJ acquired Hy-
Gain. Current AES & MFJ new price is: \$370. I
have KIT-160-88 add-on 160m kit new in box & it's
new price is: \$190. I also have GRK-88 ground
radial kit new in box & it's new price is: \$100 and
RRK-88 roof radial kit which is also \$100.

I'm looking to sell these for a fair price. I can be
reached by email at: WB9QZB@AOL.COM or phone
at 847-867-2774. 73, Mark, WB9QZB. (April 2006)

FOR SALE

Hey everyone. Here is a list of some equipment
from the family of John Offerdahl K9XH, now a
silent key. Please contact them with any
questions. The equipment is at Rita's house near
Mount Horeb, Wisconsin, and you may contact the

family members below to arrange to see the
equipment.

The equipment is as follows:

- Kenwood TS-820
- Icom IC-271H
- Icom IC-471H
- Kenwood TR-7950 (2) one has broken
backlight.
- Kenwood AT-200
- Icom IC-W21AT with spare AA battery pack
- Kenwood SP-520 speaker
- Kenwood SP-820 speaker
- Kenwood KPS-12 power supply
- Astron RS-35A power supply
- Larson NMO 2/70 antenna with Larson NMO-
MM mag-mount

Eric Offerdahl KB9NAL
414-271-1491
wolf359@gmail.com

Rita Offerdahl
608-767-7790
n9ezx@execpc.com

(May 2006)

FOR SALE

Two sections of Rohn 25G tower for sale. They
are as follows:

- (1) 10 foot section of Rohn 25, catalog number
25G
- (1) 9 foot top section of Rohn 25, catalog
number 25AG

Both sections are in good condition with no dings,
bends, twists, or weld breaks. I would like \$35.00
for each section. Contact John, WZ9I,
WZ9I@arri.net.

(May 2006)

FOR SALE

Equipment is for sale by Mark Mullen, W9MIM. The
equipment is owned by Jim Hickey who let his
license laps and has no further use for the items
listed. Mark volunteered to sell the equipment for
Jim and all transactions must go through Mark.
The prices are what they are going for on e-bay.
Contact Mark via his e-mail address or via the post
office W9475 Stone Ledge Rd, Beaver Dam, WI
53916. His phone number is 920-887-8781. The
equipment is in excellent shape but hasn't been
used for quite some time. NOTE: If you are
interested in the tower and the Tailtwister rotor,

the KLM KT-34XA Triband beam antenna goes with it. All equipment is priced to sell. Here's a chance to get a good deal and all is right here in Beaver Dam.

- TRI-EX CRANKUP TOWER 54FT MODEL # LM354 & TAILTWISTER ROTOR \$1250
- KENWOOD TS530S \$250
- HEATH KIT TUNER SA 2060 \$275
- DIAMOND-SX-100-SWR&POWER METER \$50
- MFJ ELECTRONIC KEYSER PADDLE \$75
- 35 AMP ASTRON POWER SUPPLY WITH METERS \$100
- KENWOOD MULTIBAND JUST HAS 2M AND 440 TM741A \$250
- MFJ DELUXE VHF/UHF PEAK READ SWR&WATT METER \$40
- KLM KT-34XA TRI BAND ANTENNA GOES WITH TOWER
- MFJ 300 WATT DRY DUMMY LOAD \$40
- HTX-10 METER TRANCEIVER \$75
- KENWOOD TH-215A HANDY WITH SPEAKER MIKE \$80
- KAM PLUS \$50
- KENWOOD-TM-241A MOBILE 2 METER \$100
- KENWOOD SP-230 SPEAKER \$75

(May 2006)

provides you with *three* ways to learn Morse code. First there are formal lessons which introduce the code one letter at a time. Then there are exercises, a set of typical transmissions to practice on (you set the speed). And finally there is *Pentode®*. This highly motivating game (inspired by *Tetris*) makes acquiring the code effortless.

Requirements: You will need a PC with a 386 or higher running Win95, Win98, Win-ME, WinNT, Win2000 or WinXP plus a sound card.

Goto: <http://hamuniversity.com/>

March2008

Tom's Auto Clinic

2652 E. Washington Avenue
Madison, WI 53704
608-241-3391

Steve - N9CK

Marylynn - K9SAM

May2007

Advertisers

The club is always looking for advertisers for our club. This helps defray the cost of the news letter some. If you have a candidate(s) in mind; see Don or any board member for details. It is a good way for some business to get exposure and help the club out. It isn't very expensive at all. Contact Don Michalski, W9IXG or Frederick Baguhn, W9GOC.

**Ham
University**

CW!

Tech!

General

Extra!

The Ham University

Ham University is the premier Windows program for helping you pass your FCC Exams. Ham University contains all the questions for all *three* FCC written exams. You can browse the questions, quiz yourself on your weak areas, or set yourself a mock exam. Ham University

Contest Information

WA7BNM Monthly Contest Calendar

Please note that you may not be able to operate during all of the total hours of the contests listed below. Total operating time may also vary by entry category. See individual contest rules for allowed operating hours. This calendar comes from website: <http://www.hornucopia.com/contestcal/contestcal.html>.

May, 2006	
AGCW QRP/QRP Party	1300Z-1900Z, May 1
RSGB 80m Club Championship, SSB	1900Z-2030Z, May 1
ARS Spartan Sprint	0100Z-0300Z, May 2
Thursday NCCC Sprint Ladder	0230Z-0300Z, May 5
MARAC County Hunter Contest, CW	0000Z, May 6 to 2400Z, May 7
10-10 Int. Spring Contest, CW	0001Z, May 6 to 2359Z, May 7
Microwave Spring Sprint	0600-1300 local, May 6
7th Call Area QSO Party	1300Z, May 6 to 0700Z, May 7
Indiana QSO Party	1600Z, May 6 to 0400Z, May 7
ARI International DX Contest	2000Z, May 6 to 1959Z, May 7
New England QSO Party	2000Z, May 6 to 0500Z, May 7 and
	1300Z-2400Z, May 7
RSGB 80m Club Championship, Data	1900Z-2030Z, May 10
Thursday NCCC Sprint Ladder	0230Z-0300Z, May 12
VK/Trans-Tasman 80m Contest, Phone	0800Z-1400Z, May 13
Mid-Atlantic QSO Party	1200Z, May 13 to 2400Z, May 14
VOLTA WW RTTY Contest	1200Z, May 13 to 1200Z, May 14
CQ-M International DX Contest	1200Z, May 13 to 1200Z, May 14
FISTS Spring Sprint	1700Z-2100Z, May 13
50 MHz Spring Sprint	2300Z, May 13 to 0300Z, May 14
Run for the Bacon QRP Contest	0100Z-0300Z, May 15
NAQCC 80m Straight Key/Bug Sprint	0030Z-0230Z, May 18 and
	0330Z-0530Z, May 18
RSGB 80m Club Championship, CW	1900Z-2030Z, May 18
Thursday NCCC Sprint Ladder	0230Z-0300Z, May 19
US Counties QSO Party, SSB	0000Z, May 20 to 2400Z, May 21
His Maj. King of Spain Contest, CW	1200Z, May 20 to 1200Z, May 21
EU PSK DX Contest	1200Z, May 20 to 1200Z, May 21
Portuguese Navy Day Contest, PSK31	1500Z-2100Z, May 20
Portuguese Navy Day Contest, CW/SSB	1500Z, May 20 to 1500Z, May 21
Manchester Mineira CW Contest	1500Z, May 20 to 2400Z, May 21
Baltic Contest	2100Z, May 20 to 0200Z, May 21
QRP Minimal Art Session	1900Z-2300Z, May 25
CQ WW WPX Contest, CW	0000Z, May 27 to 2359Z, May 28
VK/Trans-Tasman 80m Contest, CW	0800Z-1400Z, May 27
ARCI Hootowl Sprint	2000 local - 2400 local, May 28
MI QRP Memorial Day CW Sprint	2300Z, May 28 to 0300Z, May 29

June, 2006	
Thursday NCCC Sprint Ladder	0230Z-0300Z, Jun 2
SEANET Contest	1200Z, Jun 3 to 1200Z, Jun 4
RSGB National Field Day	1500Z, Jun 3 to 1500Z, Jun 4
IARU Region 1 Field Day, CW	1500Z, Jun 3 to 1459Z, Jun 4
QRP TAC Sprint	1800Z-2359Z, Jun 3
RSGB 80m Club Championship, Data	1900Z-2030Z, Jun 5
ARS Spartan Sprint	0100Z-0300Z, Jun 6
Thursday NCCC Sprint Ladder	0230Z-0300Z, Jun 9
ANARTS WW RTTY Contest	0000Z, Jun 10 to 2400Z, Jun 11
Portugal Day Contest	0000Z-2400Z, Jun 10
Asia-Pacific Sprint, SSB	1100Z-1300Z, Jun 10
GACW WWSA CW DX Contest	1500Z, Jun 10 to 1500Z, Jun 11
REF DDFM 6m Contest	1600Z, Jun 10 to 1600Z, Jun 11
ARRL June VHF QSO Party	1800Z, Jun 10 to 0300Z, Jun 12
NAQCC 80m Straight Key/Bug Sprint	0030Z-0230Z, Jun 14 and
	0330Z-0530Z, Jun 14
RSGB 80m Club Championship, CW	1900Z-2030Z, Jun 14
Thursday NCCC Sprint Ladder	0230Z-0300Z, Jun 16
SARL Youth Day	0700Z-1100Z, Jun 16
All Asian DX Contest, CW	0000Z, Jun 17 to 2400Z, Jun 18
SMIRK Contest	0000Z, Jun 17 to 2400Z, Jun 18
West Virginia QSO Party	1600Z, Jun 17 to 0200Z, Jun 18
AGCW VHF/UHF Contest	1600Z-1900Z, Jun 17 (144) and
	1900Z-2100Z, Jun 17 (432)
Quebec QSO Party	1700Z, Jun 17 to 0300Z, Jun 18
Kid's Day Contest	1800Z-2400Z, Jun 17
DIE Contest	0600Z-1200Z, Jun 18
Run for the Bacon QRP Contest	0100Z-0300Z, Jun 19
RSGB 80m Club Championship, SSB	1900Z-2030Z, Jun 22
Thursday NCCC Sprint Ladder	0230Z-0300Z, Jun 23
His Maj. King of Spain Contest, SSB	1200Z, Jun 24 to 1200Z, Jun 25
Ukrainian DX DIGI Contest	1200Z, Jun 24 to 1200Z, Jun 25
Marconi Memorial HF Contest	[cancelled]
ARRL Field Day	1800Z, Jun 24 to 2100Z, Jun 25
ARCI Milliwatt Field Day	1800Z, Jun 24 to 2100Z, Jun 25
Thursday NCCC Sprint Ladder	0230Z-0300Z, Jun 30

Send comments and corrections about this page to Bruce Horn, WA7BNM

Revision Date: April 2, 2006

© 1998-2006 Bruce Horn, WA7BNM, All Rights Reserved

Information is also available from the ARRL contest web site <http://www.arrl.org/contests/calendar.html> and the ARRL Contest Rate Sheet at <http://www.arrl.org/contests/rate-sheet/>. You can also get the Rate Sheet emailed to you once a week. (You may have to copy these URL's into your browser to make them work.)

N2CQ QRP CONTEST CALENDAR

QRP CONTEST CALENDAR, May 2006

AGCW QRP/QRP Party (CW) ... QRP Contest!

May 1, 1300z to 1900z

Rules: http://www.agcw.org/agcw-con/2006/Englisch/agcw-dl_e.htm

Adventure Radio Spartan Sprint (CW) ... QRP Contest!

May 2, 0100z to 0300z (First Monday 9 PM EDT)

Rules: <http://www.arsgrp.com/>

Ten-Ten International Spring QSO Party (CW) ... QRP Category

May 6, 0001z to May 7, 2359z

Rules: <http://www.ten-ten.org/calendar.html>

7th Call Area QSO Party (Ph/CW) ... QRP Category

May 6, 1300z to May 7, 0700z

Rules: <http://www.7qp.org>

Indiana QSO Party (All) ... QRP Category

May 6, 1600z to May 7, 0400z

Rules: <http://www.hdxcc.org/inqp/>

New England QSO Party (Phone/CW) ... QRP Category

May 6, 2000z to May 7, 0500z

May 7, 1300z to May 7, 2400z

Rules: <http://www.neqp.org/>

VK/trans-Tasman Contests (80 M Ph) ... QRP Category

May 13, 0800z to 1400z

Rules: <http://home.iprimus.com.au/vktasman/RULES.HTM>

Mid-Atlantic QSO Party (CW/SSB/FM) ... QRP Category

May 13, 1200z to May 14, 2359z

Rules: <http://www.maqp.info/>

FISTS Spring Sprint (CW) ... QRP Category

May 13, 1700z to 2100z

Rules: <http://www.fists.org/sprints.html>

CQM International DX Contest (CW/SSB) ... QRP Category

May 13, 1200z to May 14, 1200z

Rules: <http://www.sk3bg.se/contest/cqmidxc.htm>

NAQCC Straight Key/Bug Sprint *** QRP CONTEST! ***

EDT: May 17, 8:30 PM to 10:30 PM

UTC: May 18, 0030z to 0230z

Rules: <http://www.arm-tek.net/~yoel/contests.html>

Dayton Hamvention (QRP Event - FDIM)

May 19-21

Info: <http://www.hamvention.org/>

US Counties QSO Party (SSB)

May 20, 0000z to May 21, 2359z

Rules: <http://www.stpaulisland.net/countycontest.html>

HIS MAJESTY THE KING OF SPAIN CONTEST (CW)

May 20, 1200z to May 21, 1200z

Rules: <http://www.sk3bg.se/contest/kingofsp.htm>

EU PSK DX Contest ... Low Power (10W) Category

May 20, 1200z to May 21, 1200z

Rules: <http://www.eudx.srars.org/>

Manchester Mineira (CW) ... QRP Category

May 20, 1700z to May 21, 2400z

Rules: <http://www.powerline.com.br/cwif/eng4.htm#regulamento>

Baltic Contest (CW/SSB) (80 Meters)

May 20, 2100z to May 21, 0200z

Rules: http://www.lrsf.lt/bcontest/english/rules_html.htm

RUN FOR THE BACON (CW) * QRP CONTEST *****

EST: May 21, 9 PM to 11 PM

UTC: May 22, 0200z 0400z

Rules: <http://fpqrp.com>

CQWW WPX Contest (CW) ... QRP Category

May 27, 0000z to May 28, 2400z

Rules: <http://home.woh.rr.com/wpx/>

VK/trans-Tasman Contests (80 M CW) ... QRP Category

May 27, 0800z to 1400z

Rules: <http://home.iprimus.com.au/vktasman/RULES.HTM>

QRP ARCI Hoot Owl Sprint (CW) ... QRP Contest!

May 28, 2000 to 2400 LOCAL TIME

Rules: <http://www.qrparci.org>

AGCW Activity Week (CW) ... QRP Category

May 29, 0000z to Jun 2, 2400z

Rules: http://www.agcw.org/agcw-con/2006/Englisch/aktivw_e.htm

Michigan QRP Memorial Day Sprint (CW) ... QRP Contest!

May 28, 2300z to May 29, 0300z

Rules: <http://www.qsl.net/miqrpclub/contest.html>

QRP BARBERSHOP QUARTET CONTEST (CW QRP)... QRP Contest!

May 31, 9PM to 11PM EDT

Rules: http://www.io.com/~n5fc/barbershop_contest.htm

Thanks to K3WWP, LA9HW, SM3CER, WA7BNM, ARRL and others for assistance in compiling this calendar.

Ken Newman - N2CQ N2CQ@ARRL.NET ; <http://www.amqrp.org/contesting/contesting.html> ;

<http://www.n3epa.org/Pages/Contest/contest.htm> ; *Ed Note: Thanks to Terry, WU9F.

General Information

Four Lakes Amateur Radio Club Membership Mail-In Application

Date: _____ Callsign: _____ License Class: _____

Name: _____

Address: _____

City, State, Zip: _____

Telephone: _____ Month & Day of Birth: (optional) _____

E-mail address: _____

ARRL Member: Yes _____ No _____

Newsletter delivery is via E-mail, so please include your E-mail address above. If you require a mailed copy, please check here _____.

Dues: \$20 regular, \$17 Senior (65 plus), \$10 Student, \$14 additional family members.
(one newsletter per family)

Mail check and this completed application form to:

**FLARC c/o Don Michalski
4214 Mohawk Dr.
Madison, WI 53711**

MDXC Scholarship

The Madison DX Club (MDXC) has established a student scholarship program to financially assist students enrolled in institutions of higher learning. The program is intended to be a public service for this community and it is hoped all amateur radio operators and friends will contribute support.

For complete details of the program you may go to <http://www.madisondxclub.org>. You may contact us at scholarship@madisondxclub.org.

The MDXC (Madison DX Club) thanks you for your support to this important project.

.....

FIELD DAY 2006

Pins and T-Shirts



Show off your support for ARRL Field Day 2006 with an official Pin and/or T-shirt!

The Pins and T-shirts are a great way to recognize your involvement in this annual communications event.

\$5.00 each for Pins, **\$12.95** each for T-shirts

These T-shirts are made of heavy weight cotton by Hanes.

SIZE	QUANTITY	PRICE EACH	TOTAL
Small		12.95	
Medium		12.95	
Large		12.95	
X Large		12.95	
2X Large		12.95	
3X Large		12.95	
Field Day Pin		5.00	
		TOTAL DUE	
CALL SIGN	NAME		

Make Check Payable to: **Four Lakes ARC**

Mail order form & check to:	Don Michalski, W9IXG "Field Day" Items 4214 Mohawk Dr Madison, WI 53711
-----------------------------	--

For more information contact: Don Michalski, W9IXG, w9ixg@arrl.org , (608) 274-1886

All orders must be received by June 1, 2006.